

236 | Tackiness Checker 타키네스 측정기 모델 HTC-1



측정부
(알루미늄 R 링, AL-R1)

■ 제품 소개

접착력 측정기는 타이어나 고무 벨트, 테이프 등의 제조 현장에서 손쉽게 사용할 수 있는 휴대용 접착력 측정기입니다.

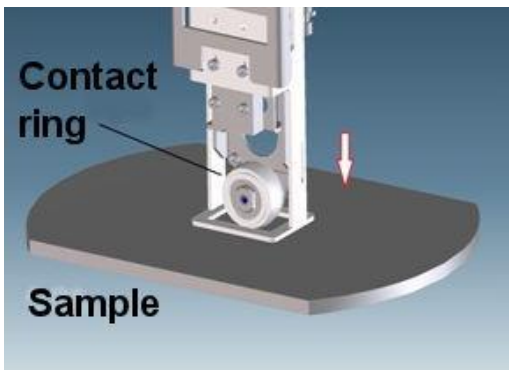
약 1.3kg의 소형 경량 케이스입니다. 측정 부재에 눌러주기만 하면 간단히 측정할 수 있습니다.

■ 특징

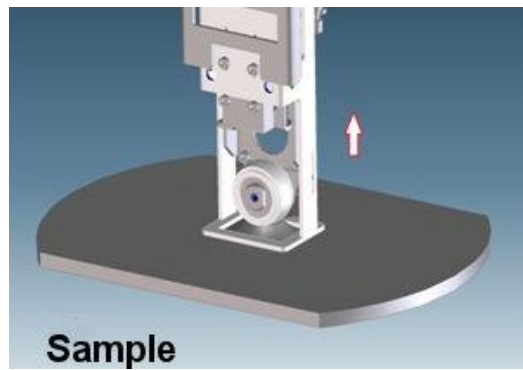
- 소형·경량 핸드형 (1.3kg)
- 충전식 배터리 탑재 - 최대 약 1200 회 연속 측정 가능
- 간편 측정 - 본체를 시료에 눌러주기만 하면 됩니다
- 측정마다 접촉자가 자동 회전하는 래치 메커니즘
- 클리닝 모드 탑재 - 접촉점 청소 간편
- 고무 시료의 표면 온도 측정이 가능하다 (옵션)

■ 측정 원리

가압



떼어내기







■ 사양

Model	HTC-1
Tackiness measuring method	Load cell method, Max 20N , resolution 0.1N
Press force	Standard: 10N (Selectable between 5 to 12N)
Press time	3 sec / 6 sec (two choices)
Number of measuring times	1 / 3 / 5 times (three choices)
Contact ring moving speed (Down and up)	Approx. 2.3mm/sec.
Standard contact ring	Aluminum R ring, Model: AL-R1 (Point contact)
Measuring times per a test	Approximately 7 seconds when pressing time is 3 seconds
Contact ring drive	Brushless DC motor
Contact ring rotation	Auto rotation function
Minimum sample size	50 x 50mm
Test condition (input)	<ul style="list-style-type: none"> ● Sample name (4 digits) ● Test results display (median or average if multiple) ● Number of times (1, 3, 5) ● Press time (3 sec or 6 sec)
Calendar function	Date, Time (yyyy/mm/dd hh:mm), auto refresh until 2099
Electrical	Li-ion battery 7.4V, 2000mA AC adapter: -Input voltage: Single-phase, AC100-240V, 50/60Hz -Output voltage: DC8.4V 2A
Dimensions	W118 x D72 x H222mm
Net weight (approx.)	1.3kg

■ 부속품 · 옵션

● Standard ○ Option

Name	Model (Part No.)	Photo	HTC-1
Aluminum R / curvature surface ring	AL-R1		●x1
Aluminum F / flat surface ring <i>Features larger contact area than aluminum R ring for increased tackiness value</i>	AL-F1		○
Flat-faced indenter	AL-M1		○
Built-in thermopile radiated temperature sensor ■ Measurement range: 5 to 40°C (Resolution: 1°C) <i>Note: This sensor is adjusted to the radiation rate of rubber (≒0.95). Temperature of materials with a different radiation rate cannot be correctly measured.</i>	ST-1		○
Carrying case <i>For storage of main instrument and attachments</i>	KS-1		○

Specifications are subject to change without notice.



TOYO SEIKI SEISAKU-SHO, LTD.

5-15-4, Takinogawa, Kita-ku, Tokyo 114-8557, Japan

Tel:+81-3-3916-8183 Fax:+81-3-3916-8173

www.toyoseiki.co.jp

20260113 KOR MN (2025.10 JP)